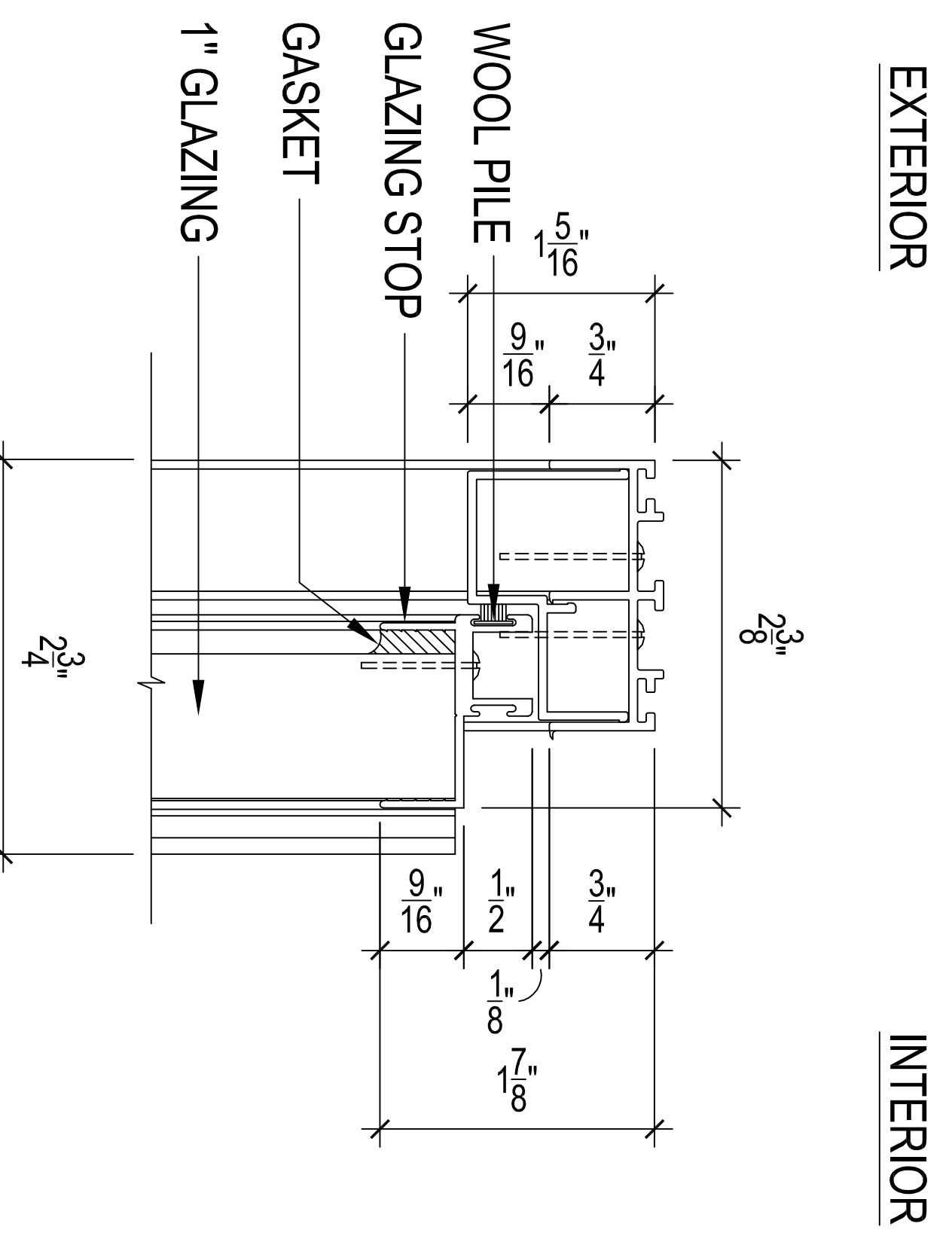
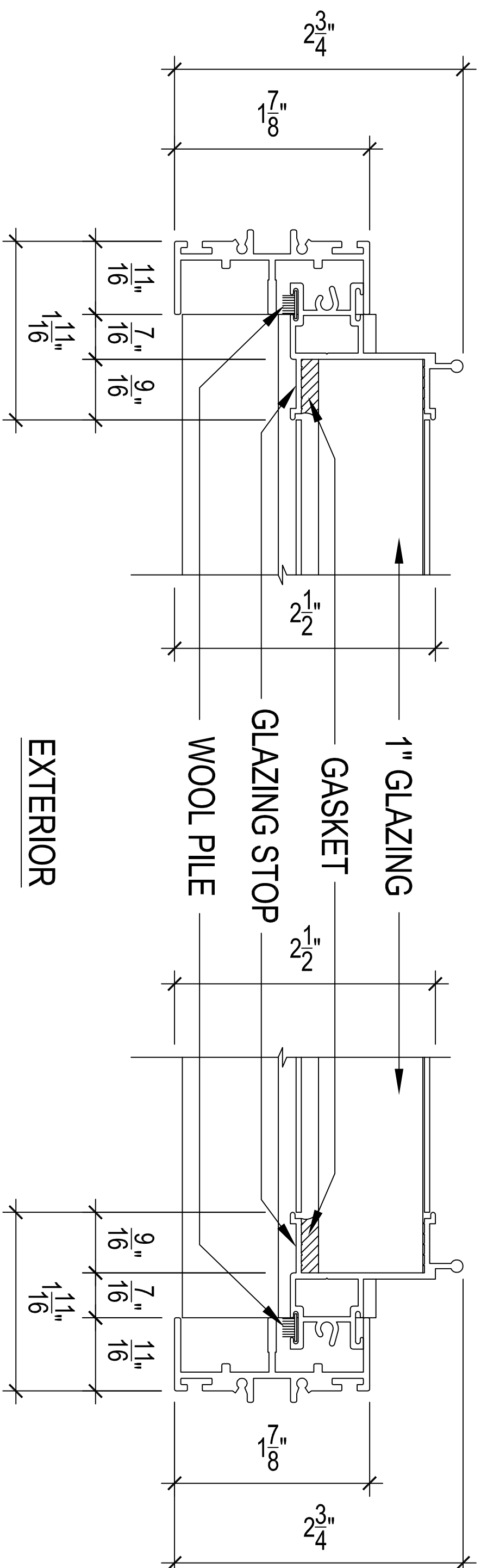


B CITIQUJET REMOVABLE PICTURE WINDOW - HEADER DETAIL
SCALE: 1" = 1"



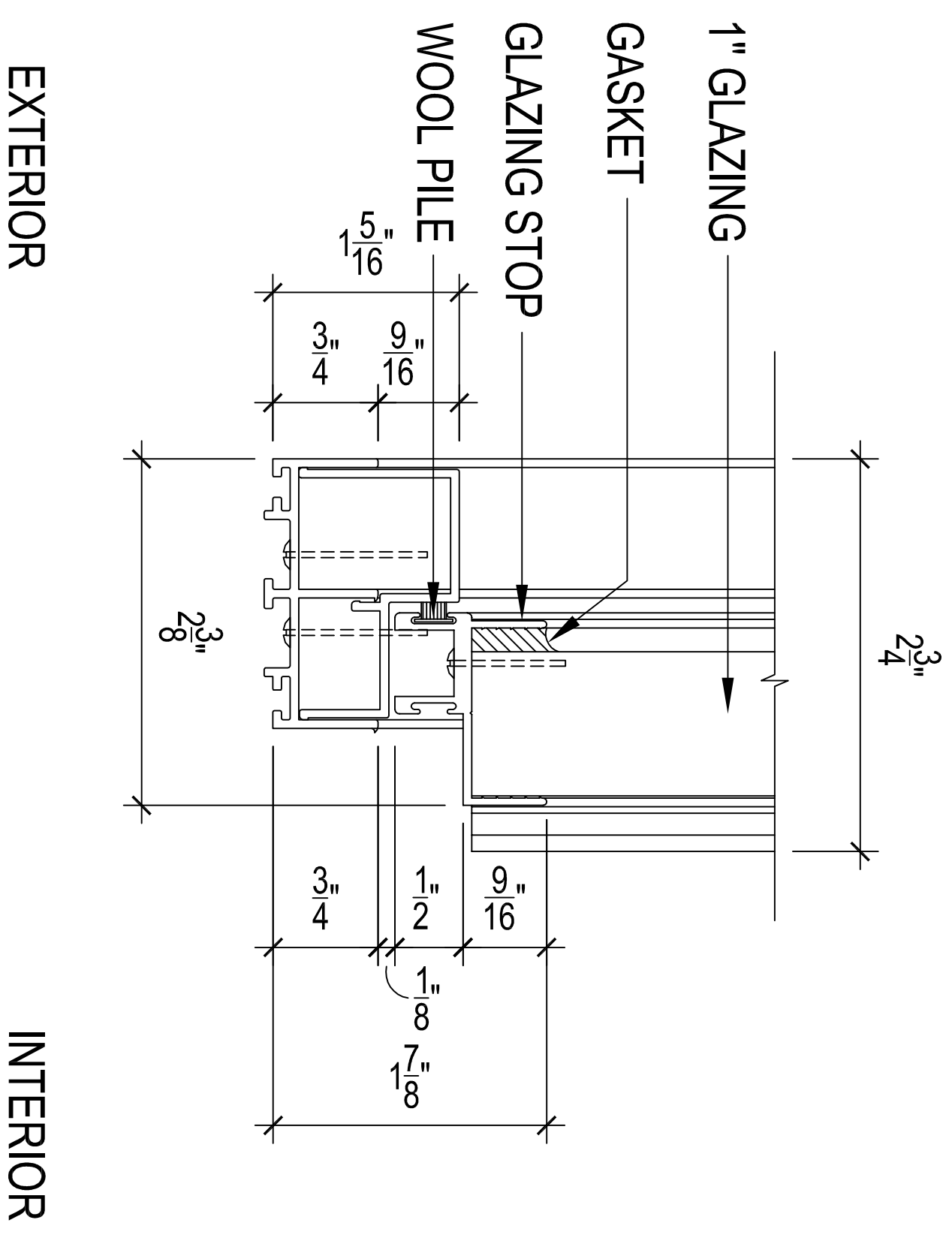
1 CITIQUJET REMOVABLE PICTURE WINDOW
EXTERIOR VIEW
INTERIOR



A CITIQUJET REMOVABLE PICTURE WINDOW - JAMB DETAIL LEFT
SCALE: 1" = 1"

D CITIQUJET REMOVABLE PICTURE WINDOW - JAMB DETAIL RIGHT
SCALE: 1" = 1"

C CITIQUJET REMOVABLE PICTURE WINDOW - SILL DETAIL
SCALE: 1" = 1"



C CITIQUJET REMOVABLE PICTURE WINDOW - SILL DETAIL
SCALE: 1" = 1"

CITIQUJET
11-11 43rd ROAD
Long Island City, New York 11101
718 752-0490 FAX 718-752-0494

REMOVABLE
PICTURE WINDOW
ELEVATION
AND DETAILS

Date: 07/11/2019	SHEET NO.
Project NO.	2
Scale: AS NOTED	
Drawn by: MD	
Approved by:	