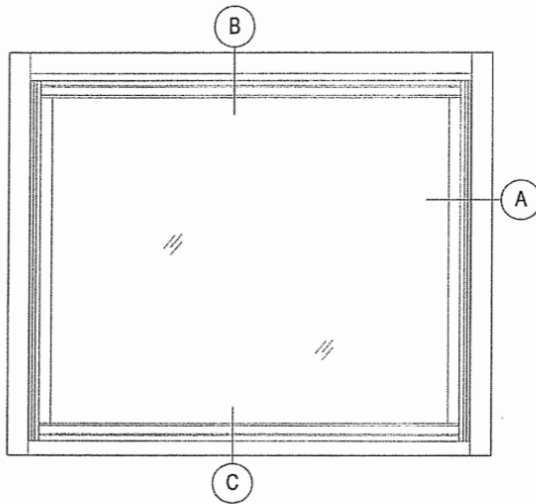


Benefits

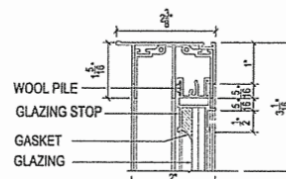
- Virtually eliminate outside noise
- Virtually eliminate draft
- Virtually eliminate soot and dirt
- No construction necessary
- No alteration required
- No building approval needed
- Landmarked approved
- Completely removable

Sound Transmission Class (STC) / Outdoor Indoor Transmission Class (OITC)

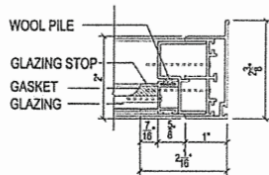
The STC rating was the original rating system developed to measure the sound privacy of interior building partitions from a variety of common sounds and has more recently expanded to be used in rating external partitions as well. The STC rating is calculated within the frequency range of 125 to 5000 hertz (the range for sounds most frequent indoors such as speech, television, and office equipment). On a general level, the STC represents the decibel (dB) reduction in sound that a partition provides. The decibel scale is non-linear, but a 10 dB reduction in sound generally results in a sound being heard at about one-half of its initial level. The OITC rating system was developed due to an increased demand for measuring the acoustical performance of exterior building partitions against external sounds. The OITC rating is a logarithmic equation calculated within the frequency range of 80 to 5000 hertz and weighed more heavily towards the lower end of the range (transportation sounds generally have frequencies around 80 hertz). The OITC rating can be generally interpreted as the A-weighted decibel reduction of sound that a partition provides.



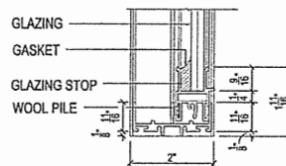
1 CITIQUIET REMOVABLE PICTURE WINDOW



B CITIQUIET REMOVABLE PICTURE WINDOW - HEADER DETAIL
SCALE 1/4" = 1"



A CITIQUIET REMOVABLE PICTURE WINDOW - JAMB DETAIL
SCALE 1/4" = 1"



C CITIQUIET REMOVABLE PICTURE WINDOW - SILL DETAIL
SCALE 1/4" = 1"